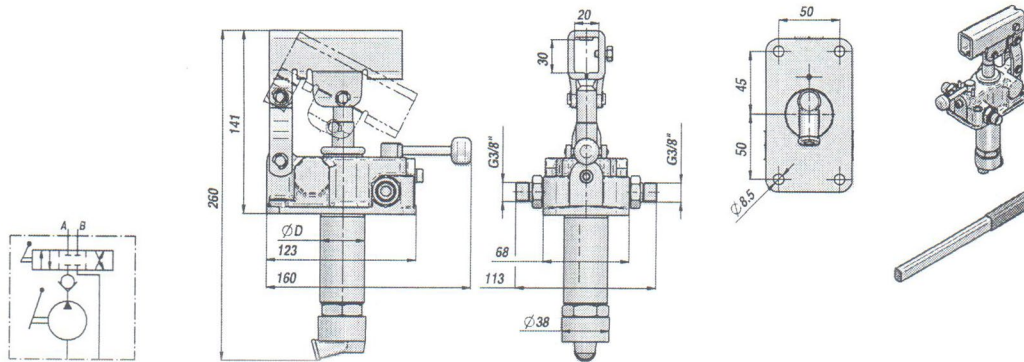


28 hand pumps & tanks

Hand Pumps
Tanks

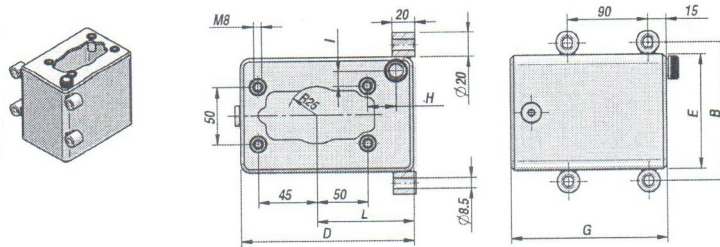
Sec28:2
Sec28:2

Hand Pump with 4 way Diverter and Built in the Pressure Relief Valve



Part number	Type	cm ³ /cycle	P.MAX bar	Kg	Retail price R
CON-HPBDPAMTD12	PAM-TD 12	12	380	2.85	
CON-HPB1PAMTD25	PAM-TD 25	25	350	2.95	
CON-HPBDPAMTD45	PAM-TD 45	45	280	3.15	
CON-HPHLPAM029	Hand Lever			0.86	

Tanks



Code	Capacity in Litres	Dimensions							Mounting	Kg	Retail price R
		B	D	E	G	H	I	L			
CON-TANK 1Lt	1	120	150	100	120	24	12	90	4 Holes with a diameter of 8.5mm	2.0	
CON-TANK 2Lt	2	120	150	100	180	24	12	90		2.2	
CON-TANK 3Lt	3	120	150	100	247	24	12	90		2.5	
CON-TANK 5Lt	5	195	175	175	200	42	45	110		4.5	
CON-TANK 7Lt	7	195	175	175	269	42	45	110		5.4	
CON-TANK 10Lt	10	195	175	175	376	42	45	110		6.8	