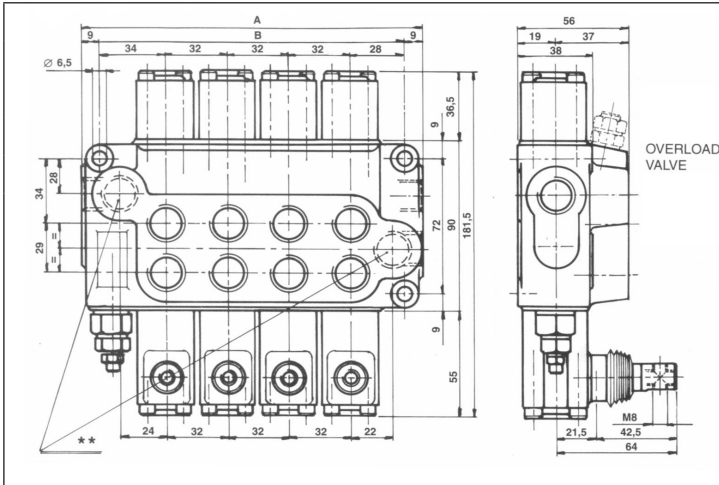


17 directional lever control valves

Directional Control Valves - Monoblock	Sec17:2
Directional Control Valves - Sectional	Sec17:4
Directional Control Valves with Pneumatic Pilots - Monoblock	Sec17:6

Directional Control Valves - Monoblock

DCV 20 – directional control valve



Monoblock construction

Flow 35 litres/min

Maximum pressure 400 bar

Threads: 3/8" BSP

Spool stroke ± 5 mm

Kinematic viscosity 5/500 mm²/sec

Spools are available with different metering, marine protected, viton seals, special springs, etc.

Filtering 30 μ m

Backpressure in outlet sections 60 bar

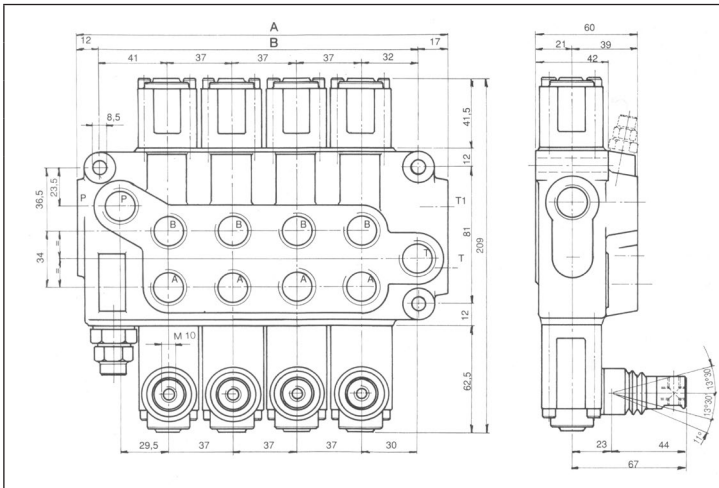
Temperature range -20 \circ C +80 \circ C

Don't use plug or pipes with taper thread

Type of valve	Dimensions A+B		Retail price R
	A	B	
DCV 20/1	80	62	
DCV 20/2	112	94	
DCV 20/3	144	126	
DCV 20/4	176	158	
DCV 20/5	208	190	
DCV 20/6	240	222	

Type of valve	Description	Retail price R
DCV 20 DT	Detent kit	
DCV 20 MRV	Main Relief Valve	

DCV 40 – directional control valve



Monoblock construction

Flow 60 litres/min

Maximum pressure 400 bar

Threads: 1/2" BSP

Spool stroke ± 5 mm

Kinematic viscosity 5/500 mm²/sec

Spools are available with different metering, marine protected, viton seals, special springs, etc.

Filtering 30 μ m

Backpressure in outlet sections 60 bar

Temperature range -20 \circ C + 80 \circ C

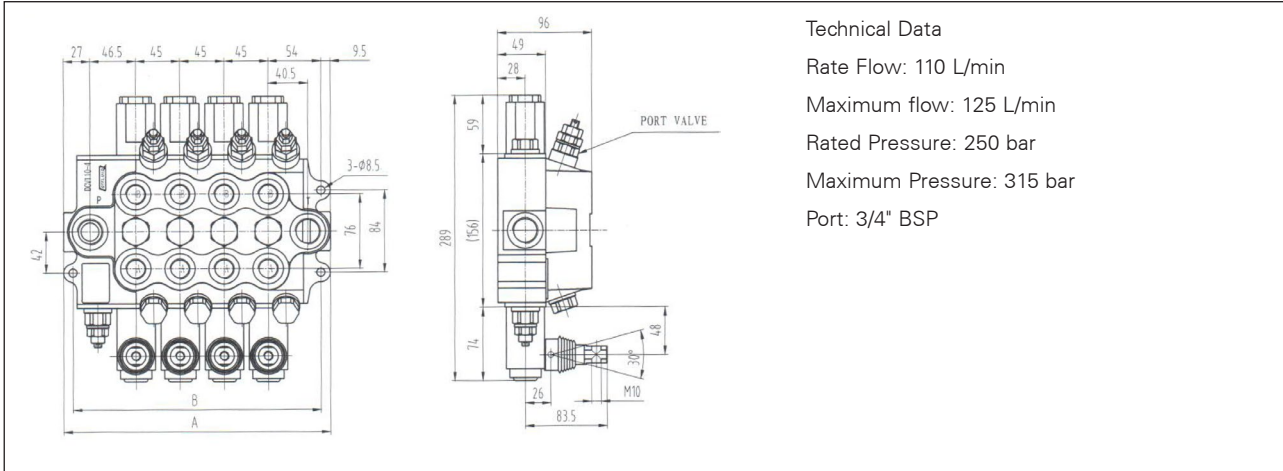
Don't use plug or pipes with taper thread

Type of valve	Dimensions A+B		Retail price R
	A	B	
DCV 40/1	102	73	
DCV 40/2	139	110	
DCV 40/3	176	147	
DCV 40/4	213	184	
DCV 40/5	250	221	
DCV 40/6	287	258	

Type of valve	Description	Retail price R
DCV 40 DT	Detent kit	
DCV 40 MRV	Main Relief Valve	

Directional Control Valves - Monoblock

DCV 110 – directional control valve



Technical Data

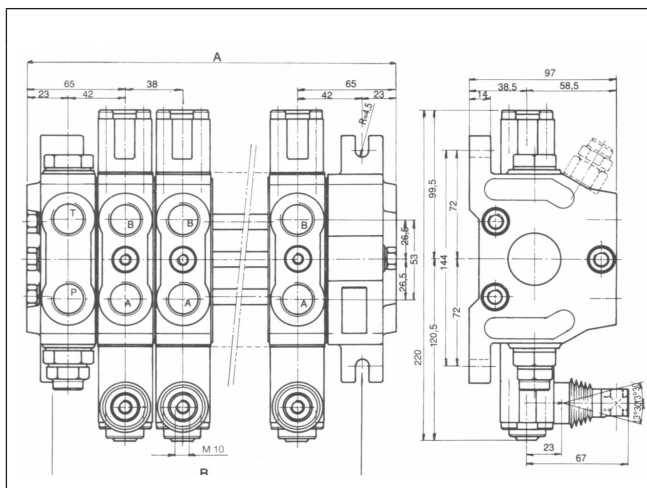
Rate Flow: 110 L/min
 Maximum flow: 125 L/min
 Rated Pressure: 250 bar
 Maximum Pressure: 315 bar
 Port: 3/4" BSP

Type of valve	Dimensions A+B		Retail price R
	A	B	
DCV 110/1	137	118	
DCV 110/2	182	163	
DCV 110/3	227	208	

Type of valve	Description	Retail price R
DCV 110 DT	Detent kit	
DCV 110 PBP	Power Beyond Plug	
DCV 110 MRV	Main Relief Valve	

Directional Control Valves - Sectional

DCV 60 – directional control valve



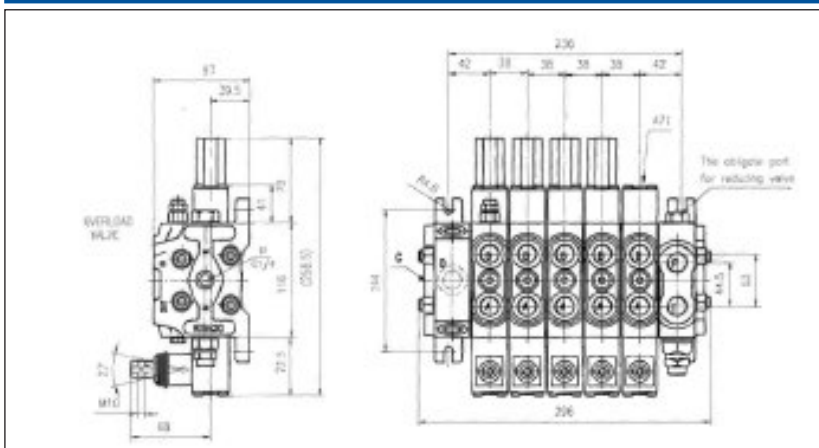
Modular valve
 Flow 60 litres/min
 Maximum pressure 350 bar
 Threads: 1/2" BSP

Spool stroke ± 5 mm
 Kinematic viscosity 5/500 mm²/sec
 Spools are available with different metering, marine protected, viton seals, special springs, etc.
 Tie-rod tightening torque N.m. 55 ± 5
 Filtering 30µm
 Back pressure in outlet sections 60 bar
 Temperature range -20°C + 80°C
 Don't use plug or pipes with taper thread

Type of valve	Dimensions A+B		Retail price R
	A	B	
DCV 60/1	130	84	
DCV 60/2	168	122	
DCV 60/3	206	160	
DCV 60/4	244	198	
DCV 60/5	282	236	
DCV 60/6	320	274	
DCV 60/7	358	312	
DCV 60/8	396	350	

Type of valve	Description	Retail price R
DCV 60 DT	Detent kit	
DCV 60 PR	Port relief	
DCV 60 MRV	Main Relief Valve	

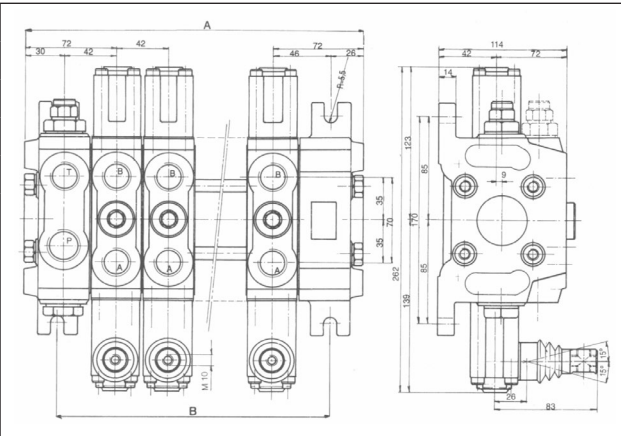
DCV 60A – directional control valve



Type of valve	Dimensions A+B		Retail price R
	A	B	
DCV 60A/1	144	84	
DCV 60A/2	182	122	
DCV 60A/3	220	160	
DCV 60A/4	258	198	
DCV 60A/5	296	236	
DCV 60A/6	334	274	
DCV 60A/7	370	312	
DCV 60A/8	410	350	

Directional Control Valves - Sectional

DCV 100 – directional control valve



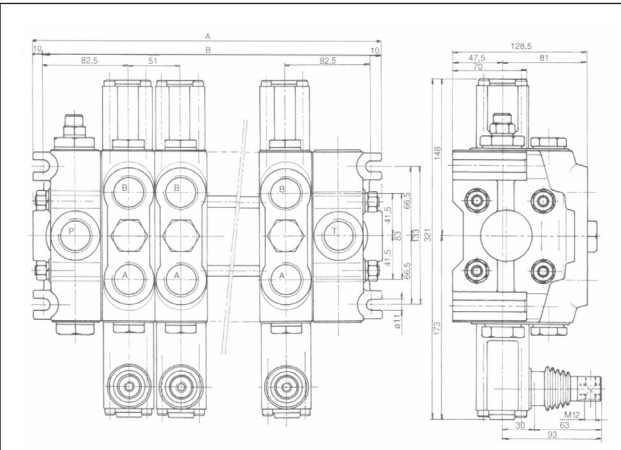
Modular valve
 Flow 100 litres/min
 Maximum pressure 350 bar
 Threads: 3/4" BSP

Spool stroke ± 7 m/m
 Kinematic viscosity 5/500 mm/sec
 Spools are available with different metering, marine protected, viton seals, special springs, etc.
 Tie-rod tightening torque N.m 55 \pm 5
 Filtering 30 p.m
 Back pressure in outlet sections 60 bar
 Temperature range -20 ^\circ C + 80 ^\circ C
 Don't use plugs or pipes with taper thread

Type of valve	Variable dimensions		Retail price R
	A	B	
DCV 100/1	144	92	
DCV 100/2	186	134	
DCV 100/3	228	176	
DCV 100/4	270	218	
DCV 100/5	312	260	
DCV 100/6	354	302	
DCV 100/7	396	344	
DCV 100/8	438	386	

Type of valve	Description	Retail price R
DCV 100 DT	Detent kit	
DCV 100 PR	Port relief	
DCV 100 MRV	Main Relief Value	

DCV 200 – directional control valve



Modular construction
 Flow 200 litres/min
 Maximum pressure 350 bar
 Threads: 1" BSP

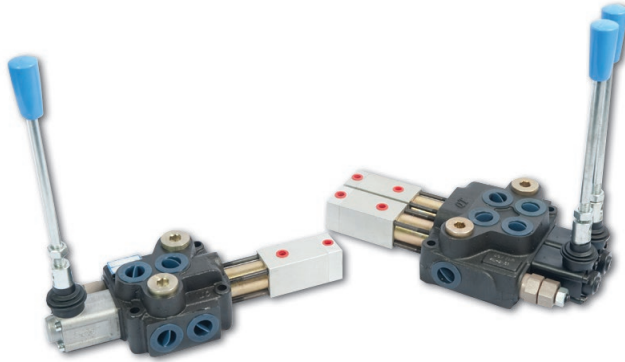
Spool stroke ± 8 m/m
 Kinematic viscosity 5/500 mm/sec
 Spools are available with different metering, marine protected, viton seals, special springs, etc.
 Tie-rod tightening torque N.m. 70 \pm 5
 Filtering 30p.m
 Back pressure in outlet sections 80 bar
 Temperature range -20 ^\circ C + 80 ^\circ C
 Don't use plug or pipes with taper thread

Type of valve	Variable dimensions		Retail price R
	A	B	
DCV 200/1	185	165	
DCV 200/2	236	216	
DCV 200/3	287	267	
DCV 200/4	338	318	
DCV 200/5	389	368	
DCV 200/6	440	420	
DCV 200/7	491	461	
DCV 200/8	542	522	

Type of valve	Description	Retail price R
DCV 200 DT	Detent kit	
DCV 200 PR	Port relief	
DCV 200 MRV	Main Relief Valve	

Directional Control Valves with Pneumatic Pilots

directional control valves with pneumatic pilots



Flow 60 litres/min
 Threads: working ports 1/2" BSP
 Tank ports 3/8 BSP and 3/4 BSP
 Pneumatic pilot ports 1/8 BSP

Part number	Description	Retail price R
DCV-PNP 401S1	single - normally closed 1/2 BSP	
DCV-PNP 402S1	double - normally closed 1/2 BSP	
DCV 40PN	pneumatic pilot kit	

pneumatic control valve



Part number	Description	Retail price R
PHC - V4H2 3006S-SPOC	5/3 way spring return 1/8 BSP N/O	
PHC - V4H2 3006D-SPOC	5/3 way detent 1/8 BSP N/O	