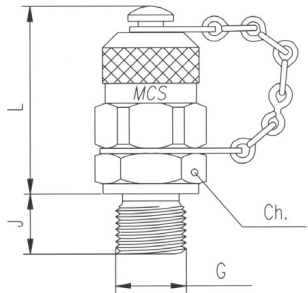


12 measuring & test equipment

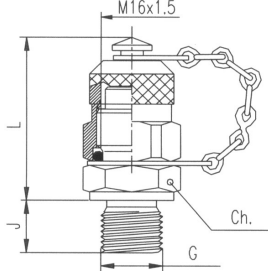
Measuring and Test Equipment	Sec12:2
Mini Mess Test Point	Sec12:3
Measuring and Test Equipment	Sec12:4
Pressure Gauges	Sec12:6
Gauge Test Boxes	Sec12:7

Measuring and Test Equipment

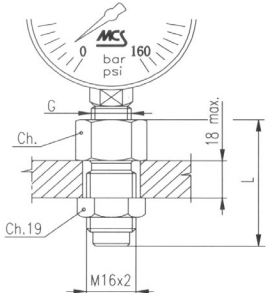
mini mess test point

	Part number	G thread	L	J	CH	Retail price R
	MMP M8X1	M8 x 1	38	8.5	17	
MMP M10X1	M10 x 1	38	9.5	17		
MMP 02N	1/8 NPT	36	9.5	17		
MMP 04N	1/4 NPT	36	14	17		
MMP 06N	3/8 NPT	36	14.2	22		
MMP 02R	1/8 BSP	38	8	17		
MMP 04R	1/4 BSP	38	12	19		
MMP 04UN	7/16 UNF	38	11	17		
MMP 06UN	9/16 UNF	38	12	19		

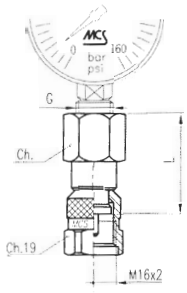
mini mess test point

	Part number	G thread	L	J	CH	Retail price R
	MMP 04R-M16X1.5	1/4 BSP	38	10	19	

bulkhead pressure gauge connection: free flow

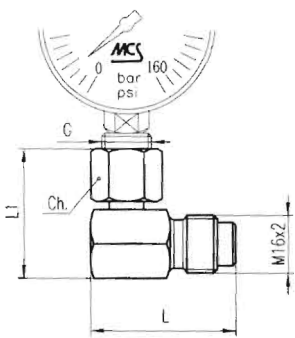
	Part number	G thread	L	CH	Retail price R
	MMP 04FR	1/4 BSP	50	19	
MMP 08FR	1/2 BSP	58	27		

pressure gauge adaptor

	Part number	G thread	L	CH	Retail price R
	MMP04FR-FM16x2	1/4 BSP	34	19	
MMP08FR-FM16x2	1/2 BSP	39	27		
MMP04FN-FM16x2	1/4 NPT	34	19		

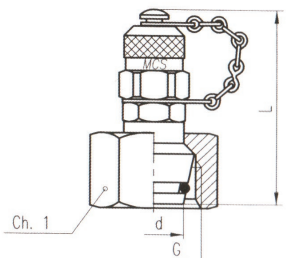
Measuring and Test Equipment

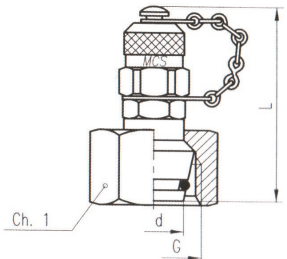
90° pressure gauge swivel adaptor

	Part number	G thread	L	CH	Retail price R
	MME04FRS16x2 90	1/4 BSP	40	17	
MME08FRS16x2 90	1/2 BSP	40	27		

Mini Mess Test Point

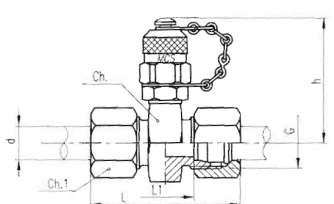
mini mess test point M16x2 with 24° seal cone

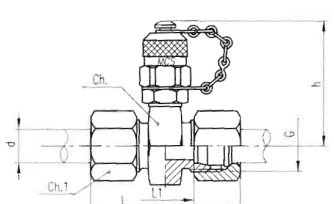
	Part number	L mm	Ch 1mm	Thread G	P max	Retail price R
	MMP 06L	65	14	M12x1,5	315	
MMP 08L	66.5	17	M14x1,5	315		
MMP 10L	67	19	M16x1,5	315		
MMP 12L	58	22	M18x1,5	315		
MMP 15L	60	27	M22x1,5	315		
MMP 18L	61	32	M26x1,5	315		
MMP 22L	59.5	36	M30x1,5	160		
MMP 28L	66	41	M36x1,5	160		
MMP 35L	71.5	50	M45x1,5	160		
MMP 42L	74.5	60	M52x1,5	160		

	Part number	L mm	Ch 1mm	Thread G	P max	Retail price R
	MMP 06S	65	17	M14x1,5	630	
MMP 08S	66.5	19	M16x1,5	630		
MMP 10S	67	20	M18x1,5	630		
MMP 12S	58	24	M20x1,5	630		
MMP 14S	58.5	27	M22x1,5	630		
MMP 16S	61.5	30	M24x1,5	400		
MMP 20S	60.5	36	M30x2	400		
MMP 25S	65.5	46	M36x2	400		
MMP 30S	67.5	50	M42x2	400		
MMP 38S	69.5	60	M52x2	315		

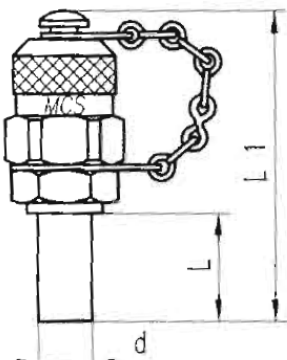
Measuring and Test Equipment

check coupling with straight tube connection

	Part number	L mm	L1 mm	Ch mm	Ch 1mm	H	P max	Retail price R
	MMPT06L	54	20	19	14	45,5	315	
MMPT08L	54	20	24	17	49	315		
MMPT10L	59	20	22	19	48	315		
MMPT12L	59	22	24	22	49	315		
MMPT15L	64	25	27	27	50,5	315		
MMPT18L	64	25	30	32	62	315		
MMPT22L	71	25	23	36	53	160		
MMPT28L	69	26	41	41	57,5	160		
MMPT35L	80	25	50	50	60	160		
MMPT42L	80	27	60	60	64,5	160		

	Part number	L mm	L1 mm	Ch mm	Ch 1mm	H	P max	Retail price R
	MMPT06S	58	24	19	17	46,5	630	
MMPT08S	59	24	22	19	48	630		
MMPT10S	63	24	22	22	48	630		
MMPT12S	63	24	22	24	48	630		
MMPT14S	71	24	24	27	49	630		
MMPT16S	71	25,5	27	30	50,5	400		
MMPT20S	78	25,5	36	3	55	400		
MMPT25S	82	25,5	41	46	57,5	400		
MMPT30S	91	27	46	50	60	400		
MMPT38S	100	29	55	60	64,5	315		

check coupling with stand pipe

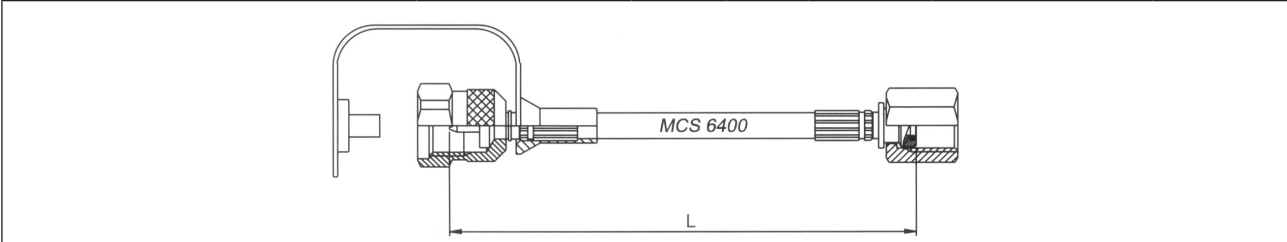
	Part number	L mm	Ch 1mm	P max	Retail price R
	MMP06STP	20	57	630	
MMP08STP	20	57	630		
MMP10STP	20	57	630		
MMP12STP	26	60	630		

check coupling bullnose type

Part number	G thread	L	Ch	Retail price R
MMN02FR60	1/4BSP	14	14	
MMN04FR60	1/2BSP	18	117	

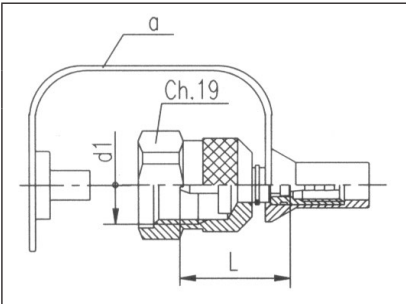
Measuring and Test Equipment

mini mess hose



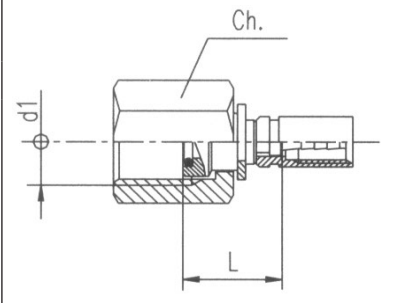
Order example for assemblies: MMH 6400 (A) 2000mm (L) MMN M16X2 (B) MMN 04FR (C)	Part number	I D	O D	Max W P	Working temp.	Retail price R
	MMH 6400	2mm	5mm	630 Bar	-40°C +100°C	

hose connection (swivel nut) (including ferrule)



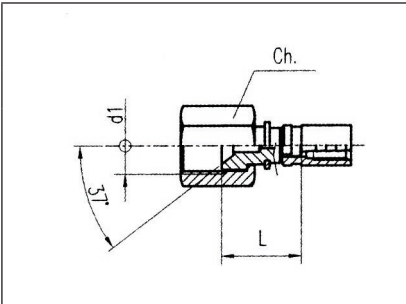
Part number	L	D1	Retail price R
MMN M16X2	24	M16 x 2	
MMN M16X1.5	24	M16 x 1.5	

gauge connection BSP female (including ferrule)



Part number	L	CH	D1	Retail price R
MMN 04FR	15	17	1/4 BSP	
MMN 08FR	17	27	1/2 BSP	

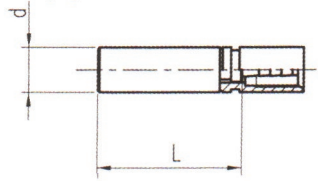
JIC 37° female swivel



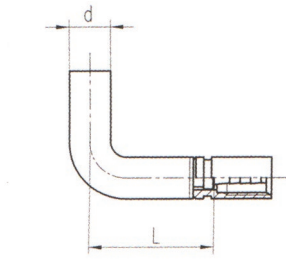
Part number	L	Ch	Thread d1	P max bar	Retail price R
MMN 04FJS	15	14	7/16 - 20	450	
MMN 06FJS	17	19	9/16 - 18	450	

Measuring and Test Equipment

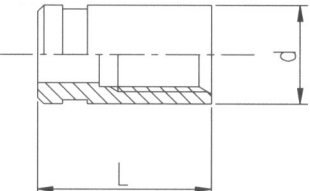
standard pipe

	Part number	L	d	Retail price R
	MMN 04STP	26	4	
	MMN 06STP	25	6	
	MMN 08STP	25	8	

standard pipe 90°

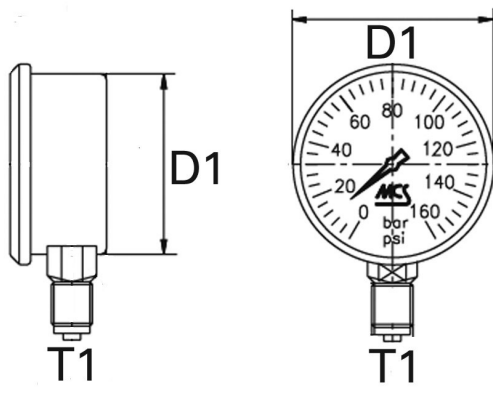
	Part number	L	d	Retail price R
	MMN 04STP90	23	4	
	MMN 06STP90	32	6	
	MMN 08STP90	31	8	

ferrule

	Part number	L	D	Retail price R
	MMF 6400	14	8	

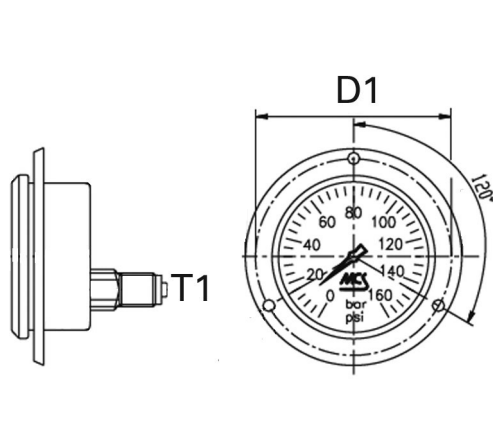
Pressure Gauges

glycerine filled pressure gauge: bottom entry

	Part number	G thread (T1)	D1	Retail price R
	GAU 0 - 6BAR B/E	1/4 BSP	63	
	GAU 0 - 10BAR B/E	1/4 BSP	63	
	GAU 0 - 25BAR B/E	1/4 BSP	63	
	GAU 0 - 40BAR B/E	1/4 BSP	63	
	GAU 0 - 60BAR B/E	1/4 BSP	63	
	GAU 0 - 100BAR B/E	1/4 BSP	63	
	GAU 0 - 160BAR B/E	1/4 BSP	63	
	GAU 0 - 250BAR B/E	1/4 BSP	63	
	GAU 0 - 400BAR B/E	1/4 BSP	63	
	GAU 0 - 600BAR B/E	1/4 BSP	63	

Pressure Gauges

glycerine filled pressure gauge: rear entry - front flanges

	Part number	G thread (T1)	D1	Retail price R
	GAU 0 - 6BAR REFF	1/4 BSP	63	
GAU 0 - 10BAR REFF	1/4 BSP	63		
GAU 0 - 25BAR REFF	1/4 BSP	63		
GAU 0 - 40BAR REFF	1/4 BSP	63		
GAU 0 - 60BAR REFF	1/4 BSP	63		
GAU 0 - 100BAR REFF	1/4 BSP	63		
GAU 0 - 160BAR REFF	1/4 BSP	63		
GAU 0 - 250BAR REFF	1/4 BSP	63		
GAU 0 - 400BAR REFF	1/4 BSP	63		
GAU 0 - 600BAR REFF	1/4 BSP	63		

Gauge Test Boxes

Part number	Description	Retail price R
PTB2	GAUGE TEST BOXES with 2 gauges	
PTB3	GAUGE TEST BOXES with 3 gauges	



Notes